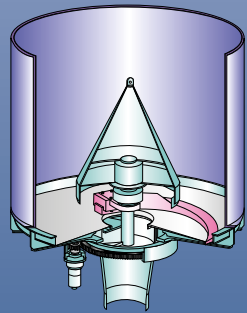


**Industries:**

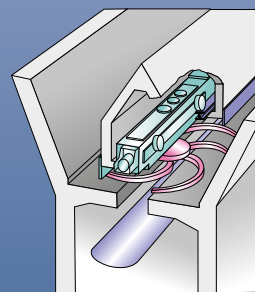
Gypsum  
Cement  
Power

Alternative fuels  
Mining  
Chemical

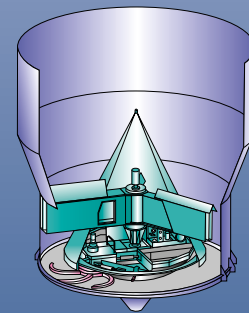
Foundries  
Environmental protection  
Sludge & Waste handling



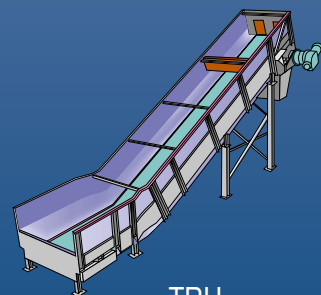
SDM  
Silo Discharge Mashine



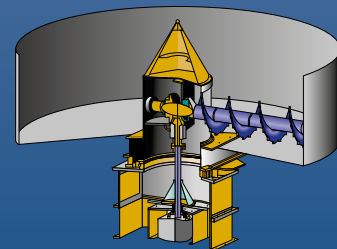
BDM Bunker  
Discharge Machine



RDM Rotary  
Discharge Mashine



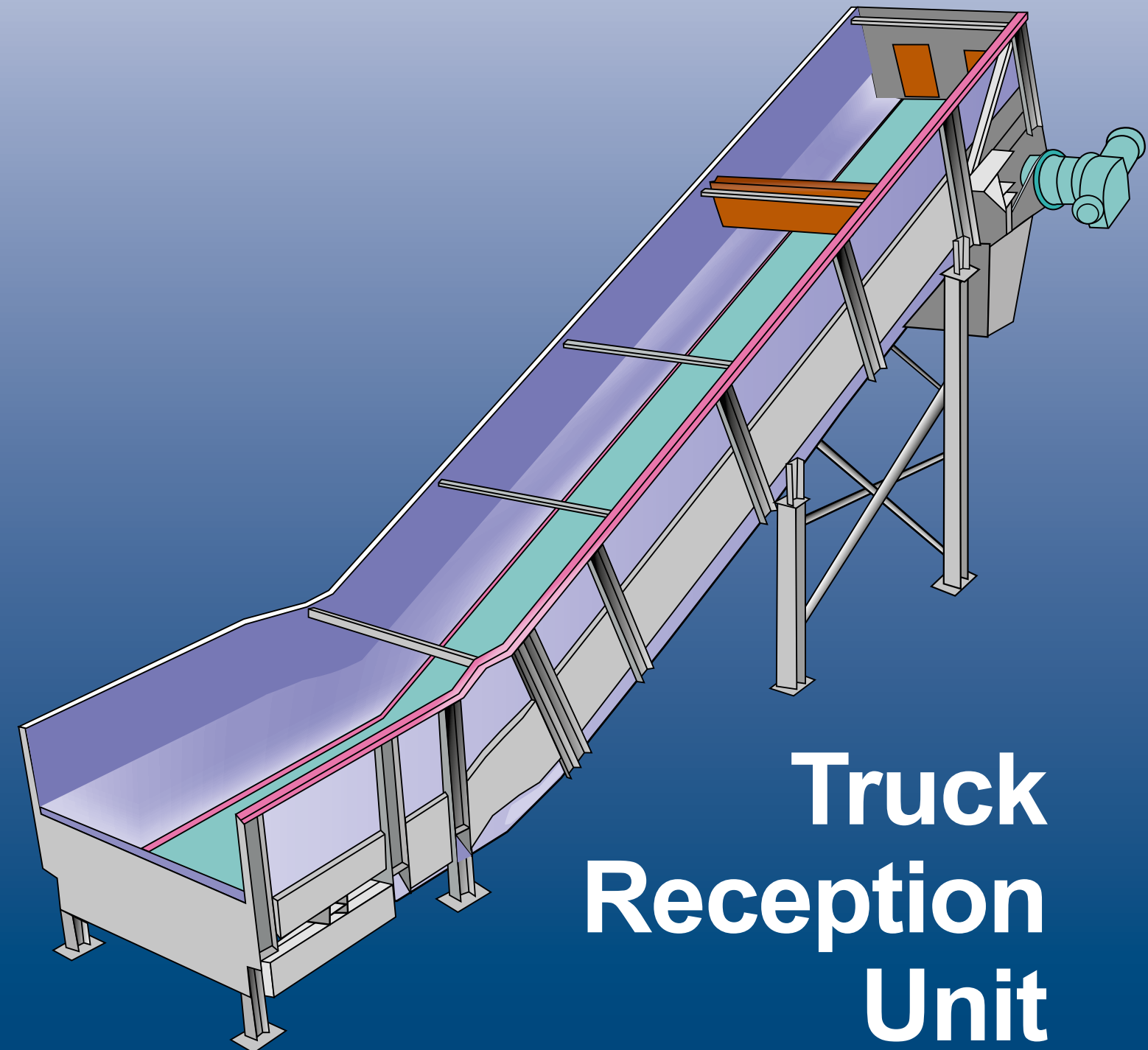
TRU  
Truck Reception Unit



Sweeping Auger



Chain Conveyor



**Truck  
Reception  
Unit**

**Louise Engineering Ltd.**

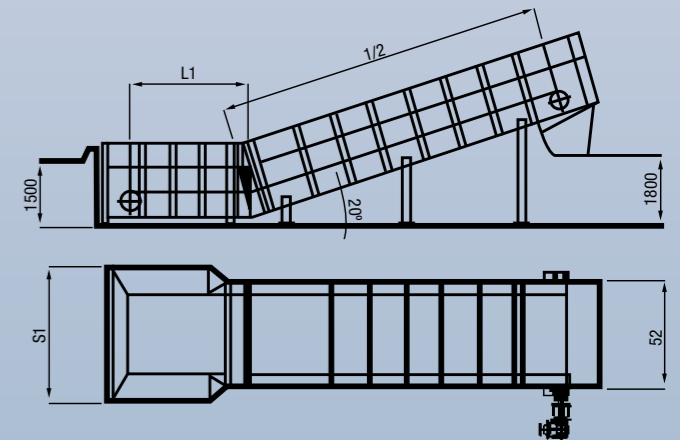
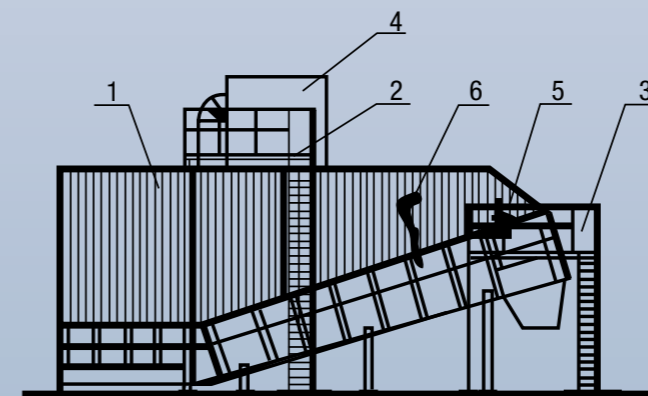
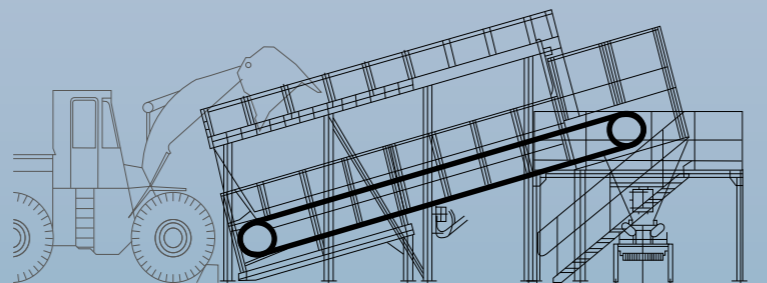
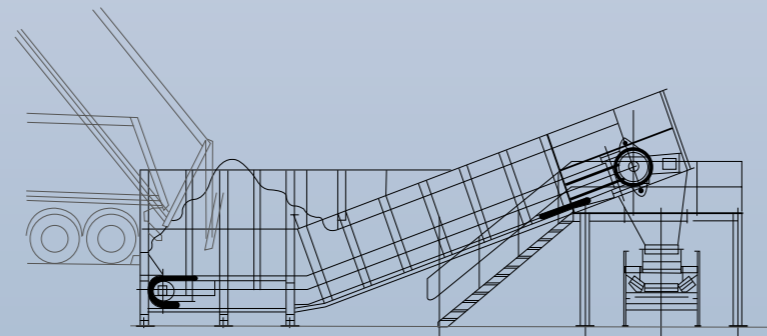
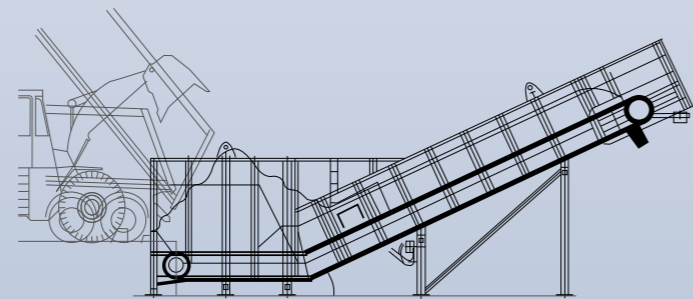
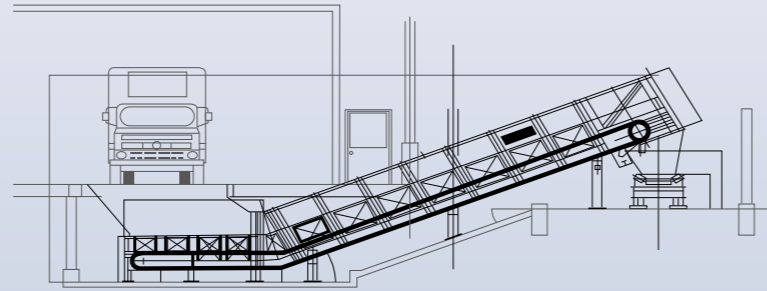
Queens Court Business Centre • Newport Road, Middlesbrough • Cleveland TSI 5EH  
E-Mail: [contact@louise-engineering.com](mailto:contact@louise-engineering.com) • Internet: [www.louise-engineering.com](http://www.louise-engineering.com)  
V.A.T. Reg. No.: GB 258 5462 32 • Telephone: +44 1642-213131 • Telefax: 1642-218802

## Functional Description

The Truck reception unit (TRU) is designed to speed the receiving of bulk materials into a processing facility without the need for costly excavation, civil work, or underground pits. Commonly used to unload bulk materials from dumping trucks or fed by front end loaders, the TRU will then feed your bulk material to your process at a specified rate.

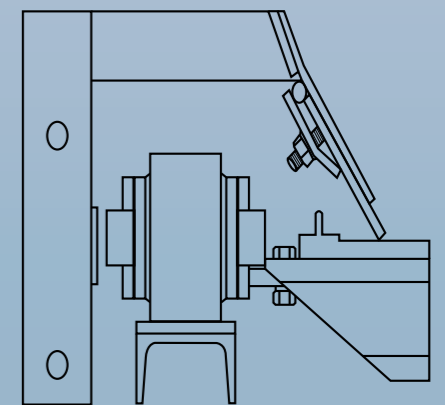
The entire TRU body can act as a buffer to store your material. Capable of handling any material from dry dusty powders and alternative fuels, to wet FGD gypsum without any bridging problems. The TRU is available in virtually any capacity or size. It can even be supplied with dust collection systems to reduce dust emissions.

If necessary the TRU can easily be relocated or made fully mobile using tires. The TRU provides a viable means to automatically deposit large loads of material directly into an operating process. The TUS provides a viable means to automatically deposit large loads of material directly into an operating process.



## Available Options

- 1 Dust housing with rubber curtain
- 2 Maintenance platform with ladder / stairs to access dedusting unit
- 3 Maintenance platform with ladder / stairs to access drive unit
- 4 Dedusting filter system
- 5 Rotary cutter
- 6 Motorized levelling blade
- 7 Mobile version with tires
- 8 Dust suppression system
- 9 Front loader infeed
- 10 Grizzly for separation of big lumps



Heavy duty construction built to your needs and application requirements